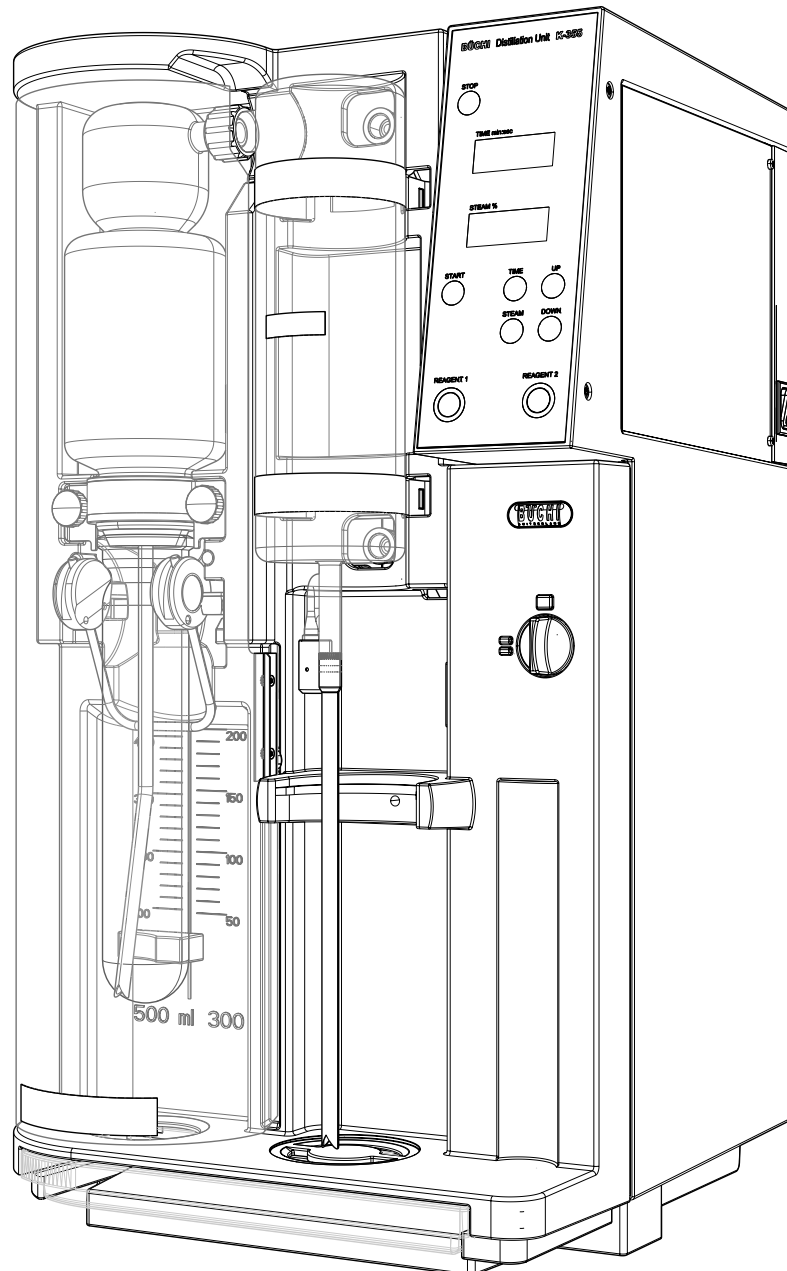




Distillation Unit K-350 / K-355

Technical data sheet

Easy to use basic distillation units for the analysis of nitrogen and protein in all kinds of industries. The more advanced K-355 is perfectly suited for additional applications that require steam regulation and addition of acids.



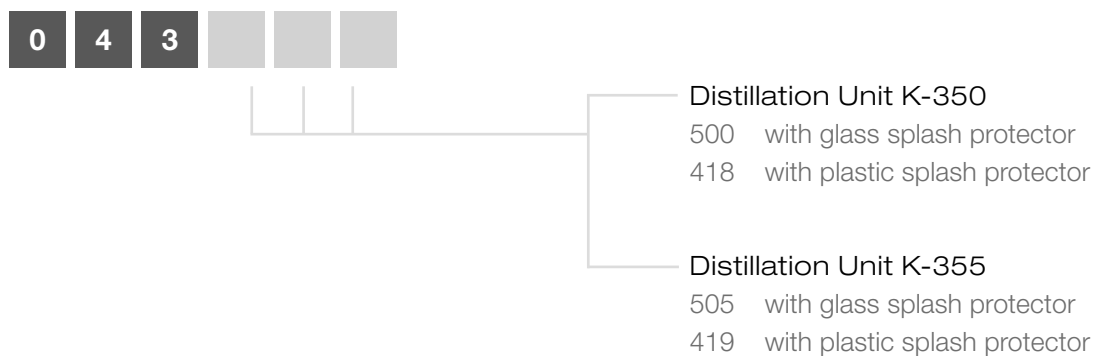
Scope of delivery

Both instruments are supplied ready to use with a steam generator and a pump for dosage of alkali. The K-355 is equipped with an additional acid resistant pump.

Components	K-350	K-355
Sample tube (300 mL)	1	1
Storage tanks (10 L)	2	3
Hose for chemical feed	3.5 m	3.5 m
Hose for cooling water feed	1.5 m	1.5 m
Hose for cooling water drain	2.0 m	1.8 m
Viton hose	–	2.0 m
Pair of glass tongs	1	1

Order code

Choose the configuration according to your needs:



Technical data

	K-350	K-355
Dimensions (WxHxD)	400 x 660 x 360 mm	400 x 660 x 360 mm
Weight	16.5 kg	17 kg
Method storage	1 *	9 **
Timer	Yes	Yes
Display	distillation time	distillation time, steam power
Steam power	100 %	30 – 100 % adjustable
Pumps	NaOH	NaOH, acid resistant pump




* distillation time

** steam power, distillation time, dosage volume

	K-350	K-355
Measuring range	0.1 – 200 mg N	0.1 – 200 mg N
Reproducibility (RSD)	<1 %	<1 %
Recovery	>99.5 % (1 – 200 mg N)	>99.5 % (1 – 200 mg N)
Power supply	220 - 240 V \pm 10 %	220 - 240 V \pm 10 %
Frequency	50/60 Hz	50/60 Hz
Power consumption	2200 W	2200 W
Ambient	5 – 40 °C, max. 80 % ***	5 – 40 °C, max. 80 % ***

*** relative humidity

Accessories

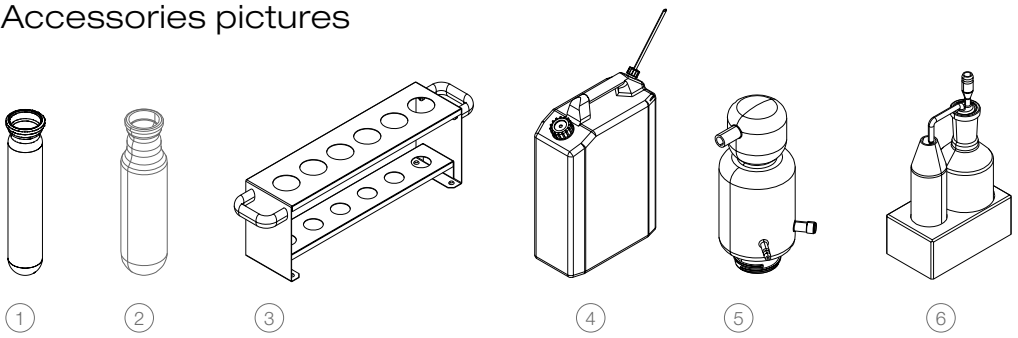
Sample tubes and holders	Qty	Order number	Picture
Sample tubes 300 mL For sample volumes up to 200 mL or 5 g in weight	4	037377	
Sample tubes 300 mL	20	11059690	
Sample tubes graduated 300 mL	4	043049	
Sample tube 500 mL	1	026128	
Sample tubes 500 mL	4	043982	
Sample tubes micro (100 mL)	4	11057442	
Sample tube holder (6 x 300 mL tubes)	1	043039	
Sample tube holder (12 x 300 mL tubes)	1	043041	
Sample tube holder (4 x 500 mL tubes)	1	016951	

Storage tanks	Qty	Order number	Picture
Storage tank (10 L) for chemicals	1	043468	
Storage tank (20 L) for chemicals	1	043469	

Other accessories	Qty	Order number	Picture
Glass splash protector Devarda	1	043335	
Glass set for SO ₂ determination	1	048680	
Connecting hose set to chiller	1	11056900	

Documentation	Qty	Order number
Kjeldahl Guide (EN) Comprehensive guide covering all aspects of the theoretical and practical know-how	1	11055033
Kjeldahl Practice Guide (EN) Provides theoretical background information, useful hints and calculation tables for daily routine work	1	11592548
Kjeldahl Practice Guide (DE)	1	11592547
Kjeldahl Practice Guide (CN)	1	11592549
IQ/OQ set K-350 (EN) Complete set for Installation and Operational Qualification of the instrument	1	045542
IQ/OQ set K-355 (EN)	1	045543
IQ/OQ set K-350 (DE)	1	11055437
IQ/OQ set K-355 (DE)	1	045655
Repeating OQ K-350 (EN)	1	11055489
Repeating OQ K-355 (EN)	1	11055491
Repeating OQ K-350 (DE)	1	11055490
Repeating OQ K-355 (DE)	1	11055492

Accessories pictures



Differences between K-350 and K-355

The K-350 is the most cost-effective distillation unit for classical Kjeldahl analysis of food & beverage or environmental samples according to official methods. The K-355 featuring an acid resistant pump and adjustable steam can be utilised for different kinds of steam distillations such as the determination of alcohol, sulphur dioxide, phenol, volatile acids, formaldehyde or TVBN.

Feature	K-350	K-355
Timer	●	●
Display for distillation time	●	●
Display for steam power		●
Adjustable steam output		●
Pump for alkali dosage	●	●
Pump for acid dosage		●
Method memory	1	9
Choice of glass or plastic splash protector	●	●
Safety sensor service door	●	●
Safety sensor protecting door	●	●
Safety sensor sample tube detection	●	●
Sensor cooling water flow		●
Display of error message codes	●	●